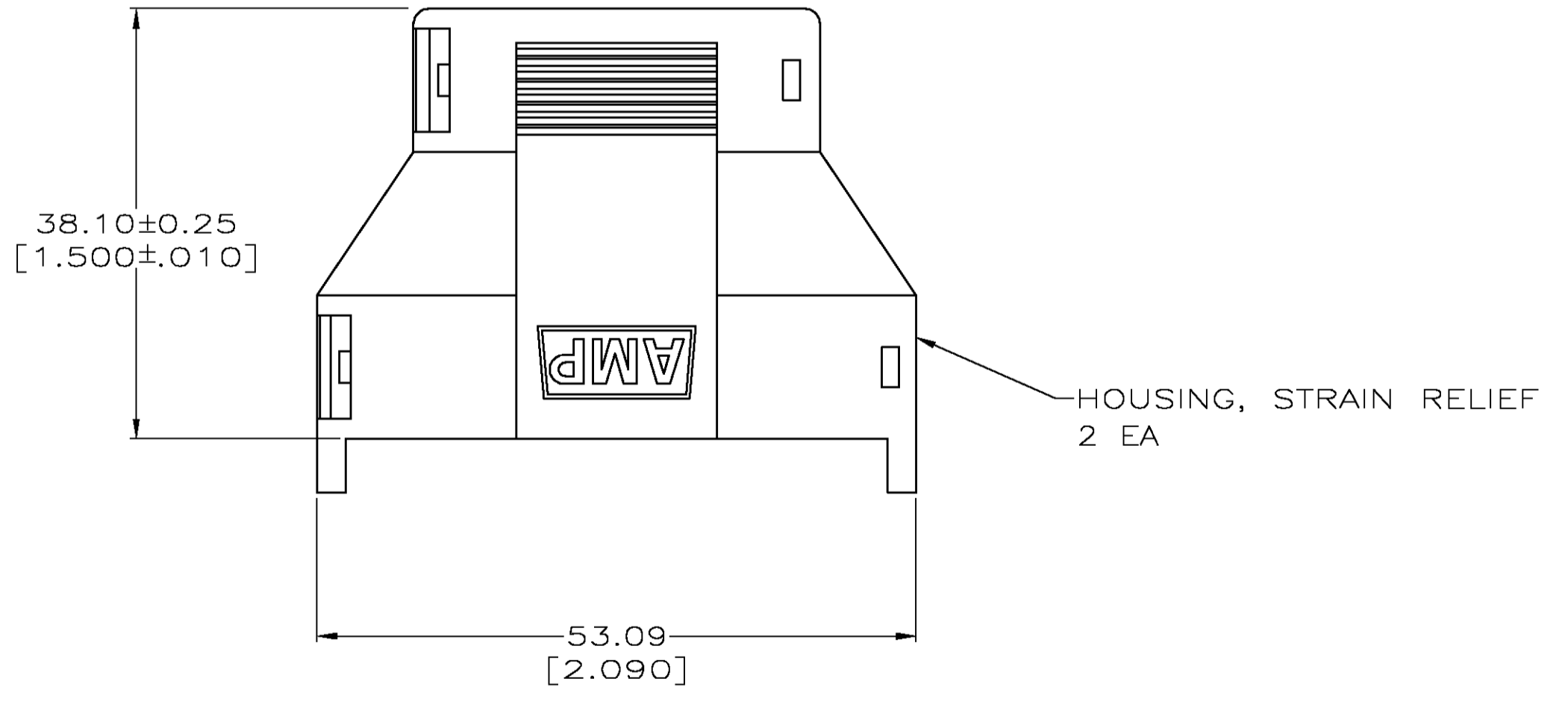
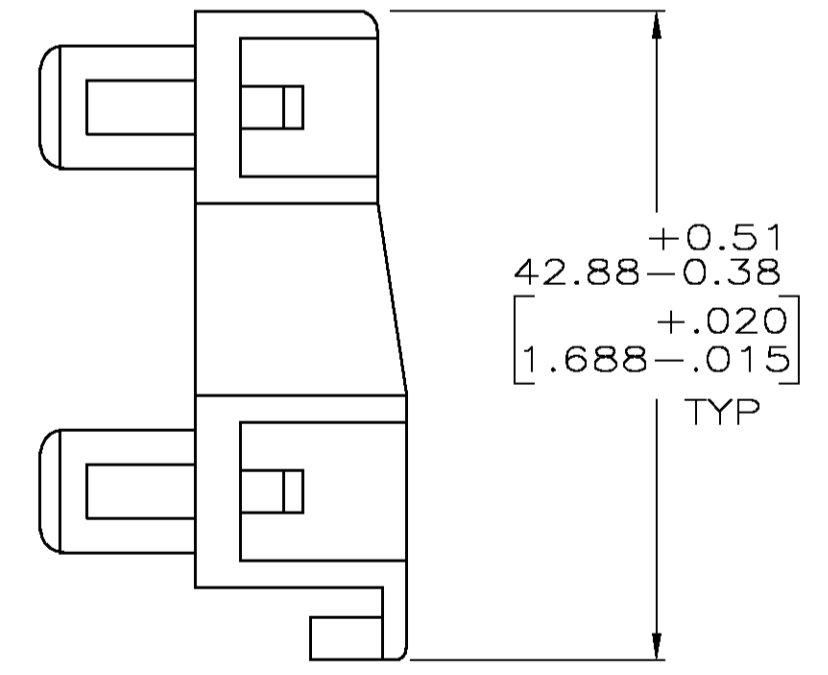
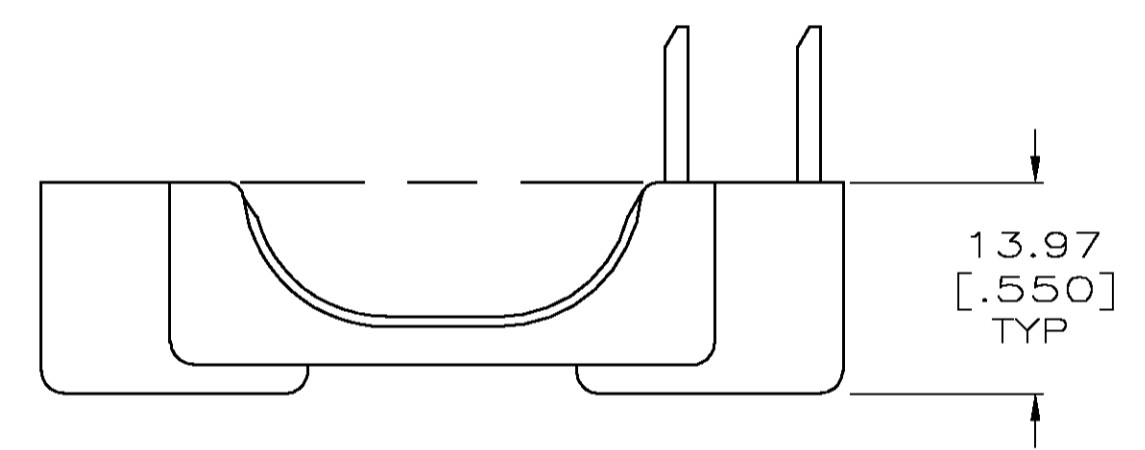
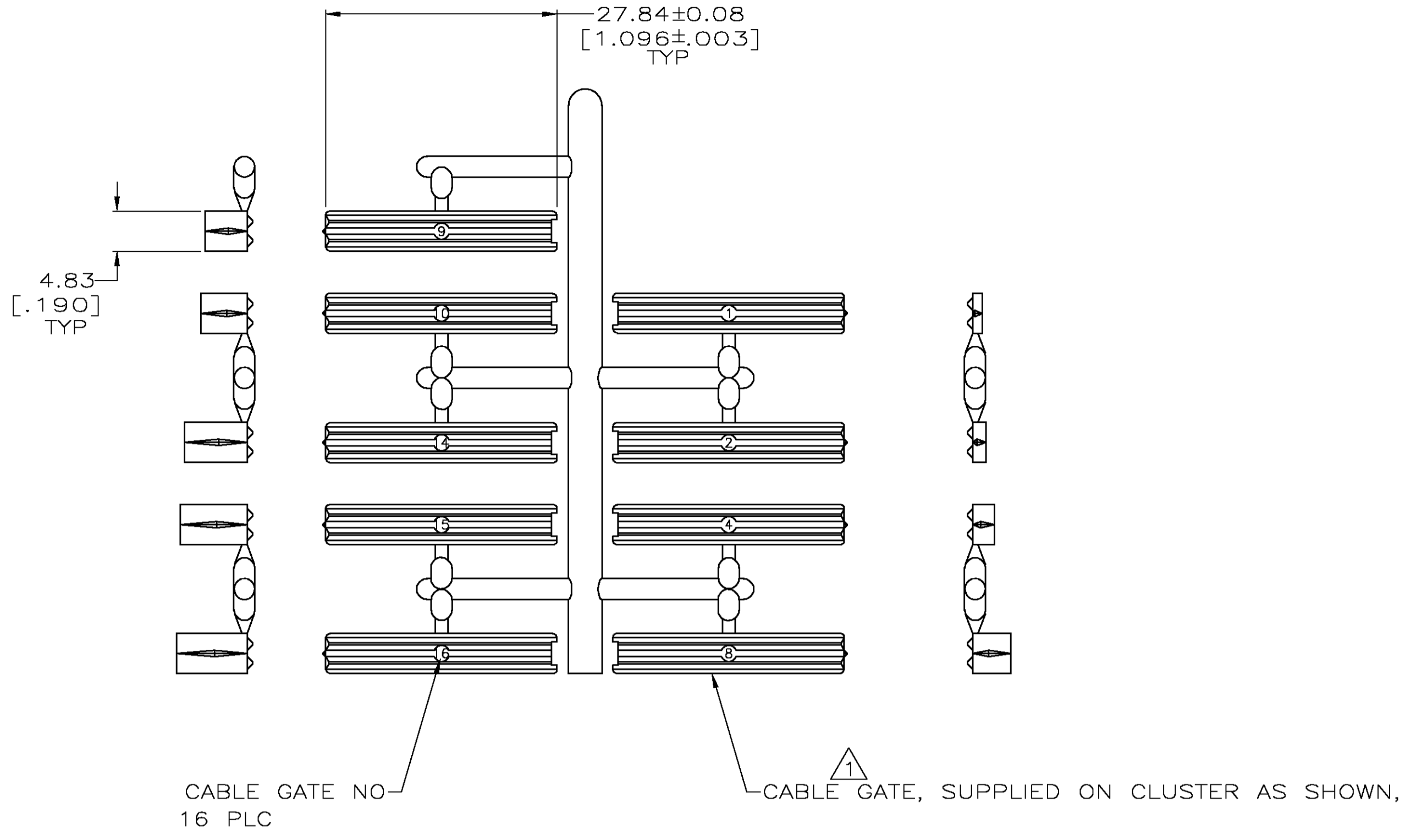


ASSEMBLED VIEW



△ A VARIETY OF CABLE GATES ARE PROVIDED TO ACCOMMODATE A VARIETY OF CUSTOMER CABLE SIZES.
 △ PLUG SHOWN FOR REFERENCE ONLY, STRAIN RELIEF CAN BE USED ON EITHER PLUG OR RECEPTACLE.

207604-1
PART NUMBER

THIS DRAWING IS A CONTROLLED DOCUMENT.		DNW J. McCLINTON 1-27-92	 Tyco Electronics Corporation Harrisburg, Pa 17105-3608
DIMENSIONS: INCHES		CHK R. STONE 1-29-92	
TOLERANCES UNLESS OTHERWISE SPECIFIED: 0 PLC ± - 1 PLC ± - 2 PLC ± ± 0.13(.005) 3 PLC ± ± - 4 PLC ± ± - ANGLES ± ± - FINISH -		APVD -	NAME -
MATERIAL NYLON, NATURAL RED		PRODUCT SPEC 108-10033	RESTRICTED TO -
WEIGHT -		APPLICATION SPEC -	SIZE A1
CUSTOMER DRAWING		SCALE 2:1	SHEET 1 OF 1
		DRAWING NO. 00779	REV D
		CAGE CODE C=207604	